



**COMMONWEALTH OF PENNSYLVANIA  
DEPARTMENT OF ENVIRONMENTAL PROTECTION  
AIR QUALITY PROGRAM**

**STATE ONLY NATURAL MINOR OPERATING PERMIT**

Issue Date: February 17, 2022

Effective Date: March 1, 2022

Expiration Date: February 28, 2027

In accordance with the provisions of the Air Pollution Control Act, the Act of January 8, 1960, P.L. 2119, as amended, and 25 Pa. Code Chapter 127, the Owner, [and Operator if noted] (hereinafter referred to as permittee) identified below is authorized by the Department of Environmental Protection (Department) to operate the air emission source(s) more fully described in this permit. This Facility is subject to all terms and conditions specified in this permit. Nothing in this permit relieves the permittee from its obligations to comply with all applicable Federal, State and Local laws and regulations.

The regulatory or statutory authority for each permit condition is set forth in brackets. All terms and conditions in this permit are federally enforceable unless otherwise designated.

**State Only Permit No: 06-03005**

Natural Minor

Federal Tax Id - Plant Code: 23-2127291-1

**Owner Information**

Name: AKZO NOBEL COATINGS INC  
Mailing Address: 150 COLUMBIA AVE  
READING, PA 19601-1748

**Plant Information**

Plant: AKZO NOBEL COATINGS INC/READING  
Location: 06 Berks County 06001 Reading City  
SIC Code: 2851 Manufacturing - Paints And Allied Products

**Responsible Official**

Name: PATRICK TURNICK  
Title: HSE MGR  
Phone: (610) 372 - 3600 Email: patrick.turnick@akzonobel.com

**Permit Contact Person**

Name: PATRICK TURNICK  
Title: HSE MGR  
Phone: (610) 372 - 3600 Email: patrick.turnick@akzonobel.com

[Signature] \_\_\_\_\_  
WILLIAM R. WEAVER, SOUTH CENTRAL REGION AIR PROGRAM MANAGER



## SECTION A. Table of Contents

### Section A. Facility/Source Identification

Table of Contents  
Site Inventory List

### Section B. General State Only Requirements

- #001 Definitions.
- #002 Operating Permit Duration.
- #003 Permit Renewal.
- #004 Operating Permit Fees under Subchapter I.
- #005 Transfer of Operating Permits.
- #006 Inspection and Entry.
- #007 Compliance Requirements.
- #008 Need to Halt or Reduce Activity Not a Defense.
- #009 Duty to Provide Information.
- #010 Revising an Operating Permit for Cause.
- #011 Operating Permit Modifications
- #012 Severability Clause.
- #013 De Minimis Emission Increases.
- #014 Operational Flexibility.
- #015 Reactivation
- #016 Health Risk-based Emission Standards and Operating Practice Requirements.
- #017 Circumvention.
- #018 Reporting Requirements.
- #019 Sampling, Testing and Monitoring Procedures.
- #020 Recordkeeping.
- #021 Property Rights.
- #022 Alternative Operating Scenarios.
- #023 Reporting
- #024 Report Format

### Section C. Site Level State Only Requirements

- C-I: Restrictions
- C-II: Testing Requirements
- C-III: Monitoring Requirements
- C-IV: Recordkeeping Requirements
- C-V: Reporting Requirements
- C-VI: Work Practice Standards
- C-VII: Additional Requirements
- C-VIII: Compliance Certification
- C-IX: Compliance Schedule

### Section D. Source Level State Only Requirements

- D-I: Restrictions
- D-II: Testing Requirements
- D-III: Monitoring Requirements
- D-IV: Recordkeeping Requirements
- D-V: Reporting Requirements
- D-VI: Work Practice Standards
- D-VII: Additional Requirements

Note: These same sub-sections are repeated for each source!

### Section E. Source Group Restrictions

- E-I: Restrictions



## SECTION A. Table of Contents

- E-II: Testing Requirements
- E-III: Monitoring Requirements
- E-IV: Recordkeeping Requirements
- E-V: Reporting Requirements
- E-VI: Work Practice Standards
- E-VII: Additional Requirements

### Section F. Alternative Operating Scenario(s)

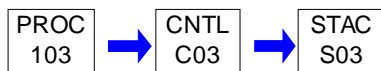
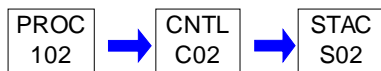
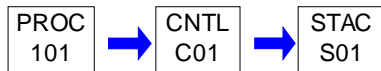
- F-I: Restrictions
- F-II: Testing Requirements
- F-III: Monitoring Requirements
- F-IV: Recordkeeping Requirements
- F-V: Reporting Requirements
- F-VI: Work Practice Standards
- F-VII: Additional Requirements

### Section G. Emission Restriction Summary

### Section H. Miscellaneous

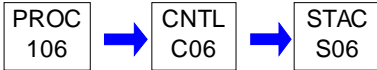
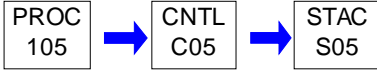
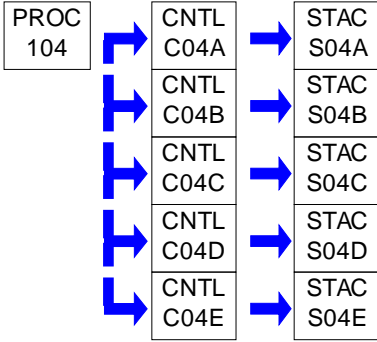
**SECTION A. Site Inventory List**

Source ID	Source Name	Capacity/Throughput	Fuel/Material
101	TP MIXING	500.000 Lbs/HR	THERMO PLASTICS
102	TP BLENDING & GRINDING	500.000 Lbs/HR	THERMO PLASTICS
103	CRYOGENIC GRINDING	1,200.000 Lbs/HR	THERMO PLASTICS
104	POWDER COATING OPERATION (EXPANSION)	2,300.000 Lbs/HR	THERMO PLASTICS
105	SPENT BAG SYSTEM	30.000 Lbs/HR	BAGS
106	Q/C LABORATORY	140.000 Lbs/HR	POWDER COATING
C01	COLLECTOR #8 - TP MIXERS		
C02	COLLECTOR #9: TP BLEND & GRIND		
C03	COLLECTOR #11: CYRO GRIND		
C04A	COLLECTOR #14:GROUP #1 C&B		
C04B	COLLECTOR #12: GROUP #2 CGM&B		
C04C	COLLECTOR #4: WEIGHUP & MIX		
C04D	COLLECTOR #1: MICRO LOTS		
C04E	COLLECTOR #18: MIXER & BLENDER		
C05	COLLECTOR #15: SPENT BAGE SYSTEM		
C06	COLLECTOR #2:Q/A LAB		
S01	STACK:TP MIXING		
S02	STACK:TP BLEND&GRIND		
S03	STACK:CRYOGRIND		
S04A	STACK:GROUP #1 C&G		
S04B	STACK:GROUP #2		
S04C	STACK: WEIGHUP&MIX		
S04D	STACK: MICRO LOTS		
S04E	STACK: MIXER & BLENDER #18		
S05	STACK:SPENT BAG SYSTEM		
S06	STACK:Q/A LAB		

**PERMIT MAPS**



**PERMIT MAPS**



**SECTION B. General State Only Requirements****#001 [25 Pa. Code § 121.1]****Definitions.**

Words and terms that are not otherwise defined in this permit shall have the meanings set forth in Section 3 of the Air Pollution Control Act (35 P.S. § 4003) and in 25 Pa. Code § 121.1.

**#002 [25 Pa. Code § 127.446]****Operating Permit Duration.**

(a) This operating permit is issued for a fixed term of five (5) years and shall expire on the date specified on Page 1 of this permit.

(b) The terms and conditions of the expired permit shall automatically continue pending issuance of a new operating permit, provided the permittee has submitted a timely and complete application and paid applicable fees required under 25 Pa. Code Chapter 127, Subchapter I and the Department is unable, through no fault of the permittee, to issue or deny a new permit before the expiration of the previous permit.

**#003 [25 Pa. Code §§ 127.412, 127.413, 127.414, 127.446 & 127.703(b)]****Permit Renewal.**

(a) The permittee shall submit a timely and complete application for renewal of the operating permit to the appropriate Regional Air Program Manager. The application for renewal of the operating permit shall be submitted at least six (6) months and not more than 18 months before the expiration date of this permit.

(b) The application for permit renewal shall include the current permit number, a description of any permit revisions that occurred during the permit term, and any applicable requirements that were promulgated and not incorporated into the permit during the permit term. An application is complete if it contains sufficient information to begin processing the application, has the applicable sections completed and has been signed by a responsible official.

(c) The permittee shall submit with the renewal application a fee for the processing of the application as specified in 25 Pa. Code § 127.703(b). The fees shall be made payable to "The Commonwealth of Pennsylvania Clean Air Fund" and submitted with the fee form to the respective regional office.

(d) The renewal application shall also include submission of proof that the local municipality and county, in which the facility is located, have been notified in accordance with 25 Pa. Code § 127.413.

(e) The application for renewal of the operating permit shall also include submission of supplemental compliance review forms in accordance with the requirements of 25 Pa. Code § 127.412(b) and § 127.412(j).

(f) The permittee, upon becoming aware that any relevant facts were omitted or incorrect information was submitted in the permit application, shall promptly submit such supplementary facts or corrected information as necessary to address any requirements that become applicable to the source after the permittee submits a complete application, but prior to the date the Department takes action on the permit application.

**#004 [25 Pa. Code § 127.703]****Operating Permit Fees under Subchapter I.**

(a) The permittee shall pay the annual operating permit maintenance fee according to the following fee schedule in either paragraph (1) or (2) in accordance with 25 Pa. Code § 127.703(d) on or before December 31 of each year for the next calendar year.

(1) For a synthetic minor facility, a fee equal to:

(i) Four thousand dollars (\$4,000) for calendar years 2021—2025.

(ii) Five thousand dollars (\$5,000) for calendar years 2026—2030.

(iii) Six thousand three hundred dollars (\$6,300) for the calendar years beginning with 2031.

**SECTION B. General State Only Requirements**

(2) For a facility that is not a synthetic minor, a fee equal to:

- (i) Two thousand dollars (\$2,000) for calendar years 2021—2025.
- (ii) Two thousand five hundred dollars (\$2,500) for calendar years 2026—2030.
- (iii) Three thousand one hundred dollars (\$3,100) for the calendar years beginning with 2031.

(b) The applicable fees shall be made payable to "The Commonwealth of Pennsylvania Clean Air Fund" with the permit number clearly indicated and submitted to the respective regional office.

**#005 [25 Pa. Code §§ 127.450 (a)(4) and 127.464]****Transfer of Operating Permits.**

(a) This operating permit may not be transferred to another person, except in cases of transfer-of-ownership that are documented and approved by the Department.

(b) In accordance with 25 Pa. Code § 127.450(a)(4), a change in ownership of the source shall be treated as an administrative amendment if the Department determines that no other change in the permit is required and a written agreement has been submitted to the Department identifying the specific date of the transfer of permit responsibility, coverage and liability between the current and the new permittee and a compliance review form has been submitted to, and the permit transfer has been approved by, the Department.

(c) This operating permit is valid only for those specific sources and the specific source locations described in this permit.

**#006 [25 Pa. Code § 127.441 and 35 P.S. § 4008]****Inspection and Entry.**

(a) Upon presentation of credentials and other documents as may be required by law, the permittee shall allow the Department or authorized representatives of the Department to perform the following:

(1) Enter at reasonable times upon the permittee's premises where a source is located or emissions related activity is conducted, or where records are kept under the conditions of this permit;

(2) Have access to and copy, at reasonable times, any records that are kept under the conditions of this permit;

(3) Inspect at reasonable times, any facilities, equipment including monitoring and air pollution control equipment, practices, or operations regulated or required under this permit;

(4) Sample or monitor, at reasonable times, any substances or parameters, for the purpose of assuring compliance with the permit or applicable requirements as authorized by the Clean Air Act, the Air Pollution Control Act, or the regulations promulgated under the Acts.

(b) Pursuant to 35 P.S. § 4008, no person shall hinder, obstruct, prevent or interfere with the Department or its personnel in the performance of any duty authorized under the Air Pollution Control Act or regulations adopted thereunder including denying the Department access to a source at this facility. Refusal of entry or access may constitute grounds for permit revocation and assessment of criminal and/or civil penalties.

(c) Nothing in this permit condition shall limit the ability of the EPA to inspect or enter the premises of the permittee in accordance with Section 114 or other applicable provisions of the Clean Air Act.

**#007 [25 Pa. Code §§ 127.441 & 127.444]****Compliance Requirements.**

(a) The permittee shall comply with the conditions of this operating permit. Noncompliance with this permit constitutes a violation of the Clean Air Act and the Air Pollution Control Act and is grounds for one or more of the following:

**SECTION B. General State Only Requirements**

- (1) Enforcement action
- (2) Permit termination, revocation and reissuance or modification
- (3) Denial of a permit renewal application

(b) A person may not cause or permit the operation of a source which is subject to 25 Pa. Code Article III unless the source(s) and air cleaning devices identified in the application for the plan approval and operating permit and the plan approval issued for the source is operated and maintained in accordance with specifications in the applications and the conditions in the plan approval and operating permit issued by the Department. A person may not cause or permit the operation of an air contamination source subject to 25 Pa. Code Chapter 127 in a manner inconsistent with good operating practices.

(c) For purposes of Sub-condition (b) of this permit condition, the specifications in applications for plan approvals and operating permits are the physical configurations and engineering design details which the Department determines are essential for the permittee's compliance with the applicable requirements in this State-Only permit. Nothing in this sub-condition shall be construed to create an independent affirmative duty upon the permittee to obtain a predetermination from the Department for physical configuration or engineering design detail changes made by the permittee.

**#008 [25 Pa. Code § 127.441]****Need to Halt or Reduce Activity Not a Defense.**

It shall not be a defense for the permittee in an enforcement action that it was necessary to halt or reduce the permitted activity in order to maintain compliance with the conditions of this permit.

**#009 [25 Pa. Code §§ 127.442(a) & 127.461]****Duty to Provide Information.**

(a) The permittee shall submit reports to the Department containing information the Department may prescribe relative to the operation and maintenance of each source at the facility.

(b) The permittee shall furnish to the Department, in writing, information that the Department may request to determine whether cause exists for modifying, revoking and reissuing, or terminating this permit, or to determine compliance with the permit. Upon request, the permittee shall also furnish to the Department copies of records that the permittee is required to maintain in accordance with this permit.

**#010 [25 Pa. Code § 127.461]****Revising an Operating Permit for Cause.**

This operating permit may be terminated, modified, suspended or revoked and reissued if one or more of the following applies:

- (1) The permittee constructs or operates the source subject to the operating permit so that it is in violation of the Air Pollution Control Act, the Clean Air Act, the regulations thereunder, a plan approval, a permit or in a manner that causes air pollution.
- (2) The permittee fails to properly or adequately maintain or repair an air pollution control device or equipment attached to or otherwise made a part of the source.
- (3) The permittee has failed to submit a report required by the operating permit or an applicable regulation.
- (4) The EPA determines that the permit is not in compliance with the Clean Air Act or the regulations thereunder.

**#011 [25 Pa. Code §§ 127.450, 127.462, 127.465 & 127.703]****Operating Permit Modifications**

(a) The permittee is authorized to make administrative amendments, minor operating permit modifications and significant operating permit modifications, under this permit, as outlined below:



**SECTION B. General State Only Requirements**

(b) Administrative Amendments. The permittee shall submit the application for administrative operating permit amendments (as defined in 25 Pa. Code § 127.450(a)), according to procedures specified in § 127.450 unless precluded by the Clean Air Act or its regulations.

(c) Minor Operating Permit Modifications. The permittee shall submit the application for minor operating permit modifications (as defined 25 Pa. Code § 121.1) in accordance with 25 Pa. Code § 127.462.

(d) Significant Operating Permit Modifications. The permittee shall submit the application for significant operating permit modifications in accordance with 25 Pa. Code § 127.465.

(e) The applicable fees shall be made payable to "The Commonwealth of Pennsylvania Clean Air Fund" with the permit number clearly indicated and submitted to the respective regional office.

**#012 [25 Pa. Code § 127.441]****Severability Clause.**

The provisions of this permit are severable, and if any provision of this permit is determined by a court of competent jurisdiction to be invalid or unenforceable, such a determination will not affect the remaining provisions of this permit.

**#013 [25 Pa. Code § 127.449]****De Minimis Emission Increases.**

(a) This permit authorizes de minimis emission increases in accordance with 25 Pa. Code § 127.449 so long as the permittee provides the Department with seven (7) days prior written notice before commencing any de minimis emissions increase. The written notice shall:

(1) Identify and describe the pollutants that will be emitted as a result of the de minimis emissions increase.

(2) Provide emission rates expressed in tons per year and in terms necessary to establish compliance consistent with any applicable requirement.

(b) The Department may disapprove or condition de minimis emission increases at any time.

(c) Except as provided below in (d), the permittee is authorized to make de minimis emission increases (expressed in tons per year) up to the following amounts without the need for a plan approval or prior issuance of a permit modification:

(1) Four tons of carbon monoxide from a single source during the term of the permit and 20 tons of carbon monoxide at the facility during the term of the permit.

(2) One ton of NO<sub>x</sub> from a single source during the term of the permit and 5 tons of NO<sub>x</sub> at the facility during the term of the permit.

(3) One and six-tenths tons of the oxides of sulfur from a single source during the term of the permit and 8.0 tons of oxides of sulfur at the facility during the term of the permit.

(4) Six-tenths of a ton of PM<sub>10</sub> from a single source during the term of the permit and 3.0 tons of PM<sub>10</sub> at the facility during the term of the permit. This shall include emissions of a pollutant regulated under Section 112 of the Clean Air Act unless precluded by the Clean Air Act, the regulations thereunder or 25 Pa. Code Article III.

(5) One ton of VOCs from a single source during the term of the permit and 5.0 tons of VOCs at the facility during the term of the permit. This shall include emissions of a pollutant regulated under Section 112 of the Clean Air Act unless precluded by the Clean Air Act, the regulations thereunder or 25 Pa. Code Article III.

(6) Other sources and classes of sources determined to be of minor significance by the Department.

(d) In accordance with § 127.14, the permittee is authorized to install the following minor sources without the need for a plan approval or permit modification:

**SECTION B. General State Only Requirements**

(1) Air conditioning or ventilation systems not designed to remove pollutants generated or released from other sources.

(2) Combustion units rated at 2,500,000 or less Btu per hour of heat input.

(3) Combustion units with a rated capacity of less than 10,000,000 Btu per hour heat input fueled by natural gas supplied by a public utility or by commercial fuel oils which are No. 2 or lighter, viscosity less than or equal to 5.82 c St, and which meet the sulfur content requirements of 25 Pa. Code §123.22 (relating to combustion units). For purposes of this permit, commercial fuel oil shall be virgin oil which has no reprocessed, recycled or waste material added.

(4) Space heaters which heat by direct heat transfer.

(5) Laboratory equipment used exclusively for chemical or physical analysis.

(6) Other sources and classes of sources determined to be of minor significance by the Department.

(e) This permit does not authorize de minimis emission increases if the emissions increase would cause one or more of the following:

(1) Increase the emissions of a pollutant regulated under Section 112 of the Clean Air Act except as authorized in Subparagraphs (c)(4) and (5) of this permit condition.

(2) Subject the facility to the prevention of significant deterioration requirements in 25 Pa. Code Chapter 127, Subchapter D and/or the new source review requirements in Subchapter E.

(3) Violate any applicable requirement of this permit, the Air Pollution Control Act, the Clean Air Act, or the regulations promulgated under either of the acts.

(f) Emissions authorized under this permit condition shall be included in the monitoring, recordkeeping and reporting requirements of this permit.

(g) Except for de minimis emission increases, installation of minor sources made pursuant to this permit condition and Plan Approval Exemptions under 25 Pa. Code § 127.14 (relating to exemptions), the permittee is prohibited from making changes or engaging in activities that are not specifically authorized under this permit without first applying for a plan approval. In accordance with § 127.14(b), a plan approval is not required for the construction, modification, reactivation, or installation of the sources creating the de minimis emissions increase.

(h) The permittee may not meet de minimis emission threshold levels by offsetting emission increases or decreases at the same source.

**#014 [25 Pa. Code § 127.3]****Operational Flexibility.**

The permittee is authorized to make changes within the facility in accordance with the regulatory provisions outlined in 25 Pa. Code § 127.3 (relating to operational flexibility) to implement the operational flexibility requirements provisions authorized under Section 6.1(i) of the Air Pollution Control Act and the operational flexibility terms and conditions of this permit. The provisions in 25 Pa. Code Chapter 127 which implement the operational flexibility requirements include the following:

(1) Section 127.14 (relating to exemptions)

(2) Section 127.447 (relating to alternative operating scenarios)

(3) Section 127.448 (relating to emissions trading at facilities with Federally enforceable emissions caps)

(4) Section 127.449 (relating to de minimis emission increases)

(5) Section 127.450 (relating to administrative operating permit amendments)

**SECTION B. General State Only Requirements**

(6) Section 127.462 (relating to minor operating permit modifications)

(7) Subchapter H (relating to general plan approvals and general operating permits)

**#015 [25 Pa. Code § 127.11]****Reactivation**

(a) The permittee may not reactivate a source that has been out of operation or production for at least one year unless the reactivation is conducted in accordance with a plan approval granted by the Department or in accordance with reactivation and maintenance plans developed and approved by the Department in accordance with 25 Pa. Code § 127.11a(a).

(b) A source which has been out of operation or production for more than five (5) years but less than 10 years may be reactivated and will not be considered a new source if the permittee satisfies the conditions specified in 25 Pa. Code § 127.11a(b).

**#016 [25 Pa. Code § 127.36]****Health Risk-based Emission Standards and Operating Practice Requirements.**

(a) When needed to protect public health, welfare and the environment from emissions of hazardous air pollutants from new and existing sources, the permittee shall comply with the health risk-based emission standards or operating practice requirements imposed by the Department, except as precluded by §§ 6.6(d)(2) and (3) of the Air Pollution Control Act [35 P.S. § 4006.6(d)(2) and (3)].

(b) A person challenging a performance or emission standard established by the Department has the burden to demonstrate that performance or emission standard does not meet the requirements of Section 112 of the Clean Air Act.

**#017 [25 Pa. Code § 121.9]****Circumvention.**

No person may permit the use of a device, stack height which exceeds good engineering practice stack height, dispersion technique or other technique which, without resulting in reduction of the total amount of air contaminants emitted, conceals or dilutes an emission of air contaminants which would otherwise be in violation of 25 Pa. Code Article III, except that with prior approval of the Department, the device or technique may be used for control of malodors.

**#018 [25 Pa. Code §§ 127.402(d) & 127.442]****Reporting Requirements.**

(a) The permittee shall comply with the applicable reporting requirements of the Clean Air Act, the regulations thereunder, the Air Pollution Control Act and 25 Pa. Code Article III including Chapters 127, 135 and 139.

(b) The permittee shall submit reports to the Department containing information the Department may prescribe relative to the operation and maintenance of any air contamination source.

(c) Reports, test data, monitoring data, notifications and requests for renewal of the permit shall be submitted to the:

Regional Air Program Manager  
PA Department of Environmental Protection  
(At the address given in the permit transmittal letter, or otherwise notified)

(d) Any records or information including applications, forms, or reports submitted pursuant to this permit condition shall contain a certification by a responsible official as to truth, accuracy and completeness. The certifications submitted under this permit shall require a responsible official of the facility to certify that based on information and belief formed after reasonable inquiry, the statements and information in the documents are true, accurate and complete.

(e) Any records, reports or information submitted to the Department shall be available to the public except for such

**SECTION B. General State Only Requirements**

records, reports or information which meet the confidentiality requirements of § 4013.2 of the Air Pollution Control Act and §§ 112(d) and 114(c) of the Clean Air Act. The permittee may not request a claim of confidentiality for any emissions data generated for the facility.

**#019 [25 Pa. Code §§ 127.441(c) & 135.5]****Sampling, Testing and Monitoring Procedures.**

(a) The permittee shall comply with the monitoring, recordkeeping or reporting requirements of 25 Pa. Code Chapter 139 and the other applicable requirements of 25 Pa. Code Article III and additional requirements related to monitoring, reporting and recordkeeping required by the Clean Air Act and the regulations thereunder including the Compliance Assurance Monitoring requirements of 40 CFR Part 64, where applicable.

(b) Unless alternative methodology is required by the Clean Air Act and regulations adopted thereunder, sampling, testing and monitoring required by or used by the permittee to demonstrate compliance with any applicable regulation or permit condition shall be conducted in accordance with the requirements of 25 Pa. Code Chapter 139.

**#020 [25 Pa. Code §§ 127.441(c) and 135.5]****Recordkeeping.**

(a) The permittee shall maintain and make available, upon request by the Department, the following records of monitored information:

- (1) The date, place (as defined in the permit) and time of sampling or measurements.
- (2) The dates the analyses were performed.
- (3) The company or entity that performed the analyses.
- (4) The analytical techniques or methods used.
- (5) The results of the analyses.
- (6) The operating conditions as existing at the time of sampling or measurement.

(b) The permittee shall retain records of any required monitoring data and supporting information for at least five (5) years from the date of the monitoring, sample, measurement, report or application. Supporting information includes the calibration data and maintenance records and original strip-chart recordings for continuous monitoring instrumentation, and copies of reports required by the permit.

(c) The permittee shall maintain and make available to the Department upon request, records including computerized records that may be necessary to comply with the reporting, recordkeeping and emission statement requirements in 25 Pa. Code Chapter 135 (relating to reporting of sources). In accordance with 25 Pa. Code Chapter 135, § 135.5, such records may include records of production, fuel usage, maintenance of production or pollution control equipment or other information determined by the Department to be necessary for identification and quantification of potential and actual air contaminant emissions.

**#021 [25 Pa. Code § 127.441(a)]****Property Rights.**

This permit does not convey any property rights of any sort, or any exclusive privileges.

**#022 [25 Pa. Code § 127.447]****Alternative Operating Scenarios.**

The permittee is authorized to make changes at the facility to implement alternative operating scenarios identified in this permit in accordance with 25 Pa. Code § 127.447.

**SECTION B. General State Only Requirements****#023 [25 Pa. Code §135.3]****Reporting**

(a) If the facility is a Synthetic Minor Facility, the permittee shall submit by March 1 of each year an annual emissions report for the preceding calendar year. The report shall include information for all active previously reported sources, new sources which were first operated during the preceding calendar year, and sources modified during the same period which were not previously reported. All air emissions from the facility should be estimated and reported.

(b) A source owner or operator of a Synthetic Minor Facility may request an extension of time from the Department for the filing of an annual emissions report, and the Department may grant the extension for reasonable cause.

**#024 [25 Pa. Code §135.4]****Report Format**

If applicable, the emissions reports shall contain sufficient information to enable the Department to complete its emission inventory. Emissions reports shall be made by the source owner or operator in a format specified by the Department.

**SECTION C. Site Level Requirements****I. RESTRICTIONS.****Emission Restriction(s).****# 001 [25 Pa. Code §123.1]****Prohibition of certain fugitive emissions**

(a) The permittee shall not allow the emission into the outdoor atmosphere of a fugitive air contaminant from a source other than the following:

- (1) Construction or demolition of buildings or structures.
- (2) Grading, paving, and maintenance of roads and streets.
- (3) Use of roads and streets. Emissions from material in or on trucks, railroad cars, and other vehicular equipment are not considered as emissions from use of roads and streets.
- (4) Clearing of land.
- (5) Stockpiling of materials.
- (6) Open burning operations
- (7) Sources and classes of sources other than those identified above, for which the permittee has obtained a determination from the Department that fugitive emissions from the source, after appropriate control, meet the following requirements:
  - (i) The emissions are of minor significance with respect to causing air pollution; and
  - (ii) The emissions are not preventing or interfering with the attainment or maintenance of any ambient air quality standard.

**# 002 [25 Pa. Code §123.2]****Fugitive particulate matter**

No person shall permit fugitive particulate matter to be emitted into the outdoor atmosphere from a source specified in Section C, Condition #001, if such emissions are visible at the point the emissions pass outside the person's property.

**# 003 [25 Pa. Code §123.31]****Limitations**

No person shall emit any malodorous air contaminants into the outdoor atmosphere from any source in such a manner that the malodors are detectable outside the property of the person on whose land the source is being operated.

**# 004 [25 Pa. Code §123.41]****Limitations**

No person shall emit visible air contaminants into the outdoor atmosphere in such a manner that the opacity of the emission is either of the following:

- (1) Equal to or greater than 20 percent for a period or periods aggregating more than three minutes in any one hour,
- (2) Equal to or greater than 60 percent at any time.

**# 005 [25 Pa. Code §123.42]****Exceptions**

The visible emission limitations do not apply to a visible emission in any of the following instances:

- (1) When the presence of uncombined water is the only reason for failure of the emission to meet the limitations,
- (2) When the emissions result from the operation of equipment used solely to train and test persons in observing the opacity of visible emissions,
- (3) When the emissions results from sources specified in Section C, Condition #001, Subsections (a)(1) - (a)(7).

**SECTION C. Site Level Requirements****II. TESTING REQUIREMENTS.****# 006 [25 Pa. Code §123.43]****Measuring techniques**

Visible emissions may be measured by using either of the following:

- (1) A device approved by the Department and maintained to provide accurate opacity measurements,
- (2) Observers, trained and qualified to measure plume opacity with the naked eye (Method 9) or with the aid of any devices approved by the Department.

**# 007 [25 Pa. Code §127.441]****Operating permit terms and conditions.**

The Department reserves the right to require exhaust stack testing of any source as necessary during the permit term to verify emissions for purposes including emission fees, malfunctions or permit condition violations.

**# 008 [25 Pa. Code §139.1]****Sampling facilities.**

Upon the request of the Department, the permittee shall provide adequate sampling ports, safe sampling platforms and adequate utilities for the performance by the Department of tests on such source. The Department will set forth, in the request, the time period in which the facilities shall be provided as well as the specifications for such facilities.

**III. MONITORING REQUIREMENTS.****# 009 [25 Pa. Code §127.441]****Operating permit terms and conditions.**

The permittee shall conduct a monthly inspection around the facility periphery during the daylight hours when the facility is in production to detect visible emissions, fugitive emissions and malodors as follows:

- (a) Visible emissions in excess of the limits stated in this permit. Visible emissions may be measured according to the methods specified in Section C, Condition #006. As an alternative, facility personnel who observe such visible emissions shall report each incident to the Department within twenty-four hours of each occurrence and make arrangements for a certified observer to read the visible emissions.
- (b) Presence of fugitive emissions and fugitive particulate matter beyond the plant property boundaries, as stated in Section C, Condition #002.
- (c) Presence of odors beyond the facility property boundaries that have the potential to be malodorous as stated in Section C, Condition #003.

**IV. RECORDKEEPING REQUIREMENTS.****# 010 [25 Pa. Code §127.441]****Operating permit terms and conditions.**

The permittee shall maintain records of monthly inspections around the plant periphery. Each record shall include, at minimum, the following information:

- (1) The name of the company representative doing the observation.
- (2) The date and time of the monitoring.
- (3) The wind direction.
- (4) A description of any emissions and/or malodors observed and actions taken to mitigate them. If none, record "NONE."

These records shall be maintained at the facility for the most recent five (5) year period and be made available to the Department upon request.

**# 011 [25 Pa. Code §127.441]****Operating permit terms and conditions.**

Unless otherwise noted, all records required by this and subsequent operating permits shall be maintained for the most recent five-year period and shall be readily available to the Department upon request. The most recent two years of records must be retained at the facility. The remaining three years of records may be retained off site. The records may be retained

**SECTION C. Site Level Requirements**

on paper, microfilm, microfiche or computer disks. If the records are retained on computer disks, the records must be in commonly available software. Commonly available software is usually compatible with a Microsoft application such as Word or Excel. For records kept off site, readily available is defined as available within one business day.

**V. REPORTING REQUIREMENTS.****# 012 [25 Pa. Code §127.441]****Operating permit terms and conditions.**

The permittee shall report malfunctions which occur at the facility to the Department. A malfunction is defined as any sudden, infrequent, and not reasonably preventable failure of air pollution control equipment, process equipment, or a process to operate in a normal or usual manner. Failures that are caused in part by poor maintenance or careless operation are not malfunctions. Malfunctions shall be reported as follows:

(a) Malfunctions which pose an imminent danger to public health, safety, welfare and the environment, shall be immediately reported to the Department by telephone. The telephone report of such malfunctions shall occur no later than two hours after discovery of the incident. Telephone reports can be made to the Air Quality Program at (610) 916-0100 during normal business hours, or to the Department's Emergency Hotline at any time. The Emergency Hotline phone number is changed/updated periodically. The current Emergency Hotline phone number can be found at <https://www.dep.pa.gov/About/Regional/SouthcentralRegion/Pages/default.aspx>. The permittee shall submit a written report of instances of such malfunctions to the Department within three (3) days of the telephone report.

(b) Unless otherwise required by this permit, any other malfunction that is not subject to the reporting requirement of subsection (a) above, shall be reported to the Department, in writing, within five (5) days of malfunction discovery.

**VI. WORK PRACTICE REQUIREMENTS.****# 013 [25 Pa. Code §123.1]****Prohibition of certain fugitive emissions**

(a) The permittee shall take all reasonable actions to prevent particulate matter from the sources identified in Section C, Condition #001, from becoming airborne. These actions shall include, but not be limited to, the following:

(1) Use, where possible, water or chemicals for control of dust in the demolition of buildings or structures, construction operations, the grading of roads, or the clearing of land.

(2) Application of asphalt, oil, water or suitable chemicals on dirt roads, material stockpiles and other surfaces which may rise to airborne dusts.

(3) Paving and maintenance of roadways.

(4) Prompt removal of earth or material from paved streets onto which earth or other material has been transported by trucking or other earth moving equipment, erosion by water or other means.

**# 014 [25 Pa. Code §127.441]****Operating permit terms and conditions.**

The permittee shall maintain broken bag detection monitors on each fabric collector controlling particulate matter emissions. Failure to maintain the monitors will require the permittee to conduct weekly visible emission readings, and read and record the collector pressure drops weekly in place of monthly, as required by this permit. The permittee shall maintain a record of the operation of the monitors and record each alarm, reason for the alarm and the corrective actions taken by the permittee.

**# 015 [25 Pa. Code §127.444]****Compliance requirements.**

The permittee shall operate and maintain all sources and control devices in a manner consistent with good operating practices.



**SECTION C. Site Level Requirements****VII. ADDITIONAL REQUIREMENTS.****# 016 [25 Pa. Code §129.14]****Open burning operations**

(a) No person may permit the open burning of material in an air basin except where open burning operations result from:

(1) A fire set to prevent or abate a fire hazard, when approved by the Department and set by or under the supervision of a public official.

(2) Any fire set for the purpose of instructing personnel in fire fighting, when approved by the Department.

(3) A fire set for the prevention and control of disease or pests, when approved by the Department.

(4) A fire set solely for recreational or ceremonial purposes.

(5) A fire set solely for cooking food.

(b) This permit does not constitute authorization to burn solid waste pursuant to Section 610 (3) of the Solid Waste Management Act, 35 P.S. Section 6018.610 (3), or any other provision of the Solid Waste Management Act.

**VIII. COMPLIANCE CERTIFICATION.**

No additional compliance certifications exist except as provided in other sections of this permit including Section B (relating to State Only General Requirements).

**IX. COMPLIANCE SCHEDULE.**

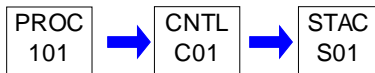
No compliance milestones exist.

**SECTION D. Source Level Requirements**

Source ID: 101

Source Name: TP MIXING

Source Capacity/Throughput: 500.000 Lbs/HR THERMO PLASTICS

**I. RESTRICTIONS.****Emission Restriction(s).**

# 001 [25 Pa. Code §123.13]

**Processes**

The permittee shall limit the emissions of particulate matter to the outdoor atmosphere from the source in a manner that the concentration of particulate matter in the effluent gas does not exceed 0.04 grain per dry standard cubic foot.

**II. TESTING REQUIREMENTS.**

No additional testing requirements exist except as provided in other sections of this permit including Section B (State Only General Requirements).

**III. MONITORING REQUIREMENTS.**

# 002 [25 Pa. Code §127.441]

**Operating permit terms and conditions.**

The permittee shall read and record the pressure drop at least once per month. The stack shall be checked for visible emissions at this time. The permittee may use the alternative method for reading visible emissions as set forth in Section C, Condition #009.

**IV. RECORDKEEPING REQUIREMENTS.**

No additional record keeping requirements exist except as provided in other sections of this permit including Section B (State Only General Requirements).

**V. REPORTING REQUIREMENTS.**

No additional reporting requirements exist except as provided in other sections of this permit including Section B (State Only General Requirements).

**VI. WORK PRACTICE REQUIREMENTS.**

# 003 [25 Pa. Code §127.441]

**Operating permit terms and conditions.**

The operation of the source shall not result in visible or malodorous emissions.

# 004 [25 Pa. Code §127.441]

**Operating permit terms and conditions.**

The permittee shall maintain equipment so that at any time the pressure drop across the fabric collector can be measured.

**VII. ADDITIONAL REQUIREMENTS.**

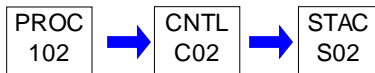
No additional requirements exist except as provided in other sections of this permit including Section B (State Only General Requirements).

**SECTION D. Source Level Requirements**

Source ID: 102

Source Name: TP BLENDING &amp; GRINDING

Source Capacity/Throughput: 500.000 Lbs/HR THERMO PLASTICS

**I. RESTRICTIONS.****Emission Restriction(s).**

# 001 [25 Pa. Code §123.13]

**Processes**

The permittee shall limit the emissions of particulate matter to the outdoor atmosphere from the source in a manner that the concentration of particulate matter in the effluent gas does not exceed 0.04 grain per dry standard cubic foot.

**II. TESTING REQUIREMENTS.**

No additional testing requirements exist except as provided in other sections of this permit including Section B (State Only General Requirements).

**III. MONITORING REQUIREMENTS.**

# 002 [25 Pa. Code §127.441]

**Operating permit terms and conditions.**

The permittee shall read and record the pressure drop at least once per month. The stack shall be checked for visible emissions at this time. The permittee may use the alternative method for reading visible emissions as set forth in Section C, Condition #009.

**IV. RECORDKEEPING REQUIREMENTS.**

No additional record keeping requirements exist except as provided in other sections of this permit including Section B (State Only General Requirements).

**V. REPORTING REQUIREMENTS.**

No additional reporting requirements exist except as provided in other sections of this permit including Section B (State Only General Requirements).

**VI. WORK PRACTICE REQUIREMENTS.**

# 003 [25 Pa. Code §127.441]

**Operating permit terms and conditions.**

The operation of the source shall not result in visible or malodorous emissions.

# 004 [25 Pa. Code §127.441]

**Operating permit terms and conditions.**

The permittee shall maintain equipment so that the pressure drop across the fabric collector can be measured.

**VII. ADDITIONAL REQUIREMENTS.**

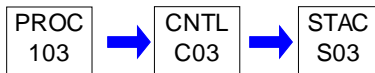
No additional requirements exist except as provided in other sections of this permit including Section B (State Only General Requirements).

**SECTION D. Source Level Requirements**

Source ID: 103

Source Name: CRYOGENIC GRINDING

Source Capacity/Throughput: 1,200.000 Lbs/HR THERMO PLASTICS

**I. RESTRICTIONS.****Emission Restriction(s).**

# 001 [25 Pa. Code §123.13]

**Processes**

The permittee shall not permit the emission to the atmosphere of particulate matter from the source in a manner that the concentration of particulate matter in the effluent gas exceeds 0.04 grains per dry standard cubic foot.

**II. TESTING REQUIREMENTS.**

No additional testing requirements exist except as provided in other sections of this permit including Section B (State Only General Requirements).

**III. MONITORING REQUIREMENTS.**

# 002 [25 Pa. Code §127.441]

**Operating permit terms and conditions.**

The permittee shall read and record the pressure drop at least once per month. The stack shall be checked for visible emissions at this time. The permittee may use the alternative method for reading visible emissions as set forth in Section C, Condition #009.

**IV. RECORDKEEPING REQUIREMENTS.**

No additional record keeping requirements exist except as provided in other sections of this permit including Section B (State Only General Requirements).

**V. REPORTING REQUIREMENTS.**

No additional reporting requirements exist except as provided in other sections of this permit including Section B (State Only General Requirements).

**VI. WORK PRACTICE REQUIREMENTS.**

# 003 [25 Pa. Code §127.441]

**Operating permit terms and conditions.**

The operation of the source shall not result in visible or malodorous emissions.

# 004 [25 Pa. Code §127.441]

**Operating permit terms and conditions.**

The permittee shall maintain equipment so that the pressure drop across the fabric collector can be measured.

**VII. ADDITIONAL REQUIREMENTS.**

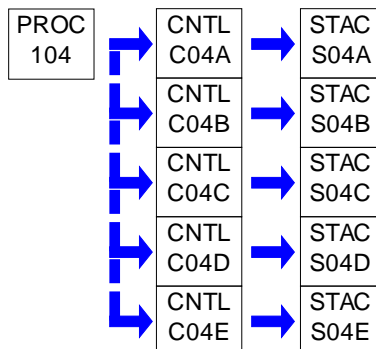
No additional requirements exist except as provided in other sections of this permit including Section B (State Only General Requirements).

**SECTION D. Source Level Requirements**

Source ID: 104

Source Name: POWDER COATING OPERATION (EXPANSION)

Source Capacity/Throughput: 2,300.000 Lbs/HR THERMO PLASTICS

**I. RESTRICTIONS.****Emission Restriction(s).**

**# 001 [25 Pa. Code §127.441]**  
**Operating permit terms and conditions.**

The permittee shall limit the emissions of particulate from the source to 0.01 grains per dry standard cubic foot.

**II. TESTING REQUIREMENTS.**

No additional testing requirements exist except as provided in other sections of this permit including Section B (State Only General Requirements).

**III. MONITORING REQUIREMENTS.**

**# 002 [25 Pa. Code §127.441]**  
**Operating permit terms and conditions.**

The permittee shall read and record the pressure drop across each fabric collector at least once per month. The stacks shall be checked for visible emissions at this time. The permittee may use the alternative method for reading visible emissions as set forth in Section C, Condition #009.

**IV. RECORDKEEPING REQUIREMENTS.**

No additional record keeping requirements exist except as provided in other sections of this permit including Section B (State Only General Requirements).

**V. REPORTING REQUIREMENTS.**

No additional reporting requirements exist except as provided in other sections of this permit including Section B (State Only General Requirements).

**VI. WORK PRACTICE REQUIREMENTS.**

**# 003 [25 Pa. Code §127.441]**  
**Operating permit terms and conditions.**

The operation of the source shall not result in visible or malodorous emissions.

**SECTION D. Source Level Requirements****# 004 [25 Pa. Code §127.441]****Operating permit terms and conditions.**

The permittee shall maintain equipment so that the pressure drop across the fabric collectors can be measured.

**VII. ADDITIONAL REQUIREMENTS.**

No additional requirements exist except as provided in other sections of this permit including Section B (State Only General Requirements).

**SECTION D. Source Level Requirements**

Source ID: 105

Source Name: SPENT BAG SYSTEM

Source Capacity/Throughput:

30.000 Lbs/HR

BAGS

**I. RESTRICTIONS.****Emission Restriction(s).**

# 001 [25 Pa. Code §127.441]

**Operating permit terms and conditions.**

The permittee shall not permit the emission to the atmosphere of particulate matter from the source in a manner that the concentration of particulate matter in the effluent gas exceeds 0.01 grains per dry standard cubic foot.

**II. TESTING REQUIREMENTS.**

No additional testing requirements exist except as provided in other sections of this permit including Section B (State Only General Requirements).

**III. MONITORING REQUIREMENTS.**

# 002 [25 Pa. Code §127.441]

**Operating permit terms and conditions.**

The permittee shall read and record the pressure drop at least once per month. The stack shall be checked for visible emissions at this time. The permittee may use the alternative method for reading visible emissions as set forth in Section C, Condition #009.

**IV. RECORDKEEPING REQUIREMENTS.**

No additional record keeping requirements exist except as provided in other sections of this permit including Section B (State Only General Requirements).

**V. REPORTING REQUIREMENTS.**

No additional reporting requirements exist except as provided in other sections of this permit including Section B (State Only General Requirements).

**VI. WORK PRACTICE REQUIREMENTS.**

# 003 [25 Pa. Code §127.441]

**Operating permit terms and conditions.**

The permittee shall maintain equipment so that the pressure drop across the fabric collector can be measured.

# 004 [25 Pa. Code §127.441]

**Operating permit terms and conditions.**

The operation of the source shall not result in visible or malodorous emissions.

**VII. ADDITIONAL REQUIREMENTS.**

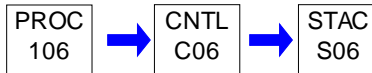
No additional requirements exist except as provided in other sections of this permit including Section B (State Only General Requirements).

**SECTION D. Source Level Requirements**

Source ID: 106

Source Name: Q/C LABORATORY

Source Capacity/Throughput: 140.000 Lbs/HR POWDER COATING

**I. RESTRICTIONS.****Emission Restriction(s).**

# 001 [25 Pa. Code §127.441]

**Operating permit terms and conditions.**

The permittee shall not permit the emission to the atmosphere of particulate matter from the source in a manner that the concentration of particulate matter in the effluent gas exceeds 0.01 grains per dry standard cubic foot.

**II. TESTING REQUIREMENTS.**

No additional testing requirements exist except as provided in other sections of this permit including Section B (State Only General Requirements).

**III. MONITORING REQUIREMENTS.**

# 002 [25 Pa. Code §127.441]

**Operating permit terms and conditions.**

The permittee shall read and record the pressure drop at least once per month. The stack shall be checked for visible emissions at this time. The permittee may use the alternative method for reading visible emissions as set forth in Section C, Condition #009.

**IV. RECORDKEEPING REQUIREMENTS.**

No additional record keeping requirements exist except as provided in other sections of this permit including Section B (State Only General Requirements).

**V. REPORTING REQUIREMENTS.**

No additional reporting requirements exist except as provided in other sections of this permit including Section B (State Only General Requirements).

**VI. WORK PRACTICE REQUIREMENTS.**

# 003 [25 Pa. Code §127.441]

**Operating permit terms and conditions.**

The operation of the source shall not result in visible or malodorous emissions.

# 004 [25 Pa. Code §127.441]

**Operating permit terms and conditions.**

The permittee shall maintain equipment so that the pressure drop across the fabric collector can be measured.

**VII. ADDITIONAL REQUIREMENTS.**

No additional requirements exist except as provided in other sections of this permit including Section B (State Only General Requirements).





**SECTION E. Source Group Restrictions.**



**SECTION F. Alternative Operation Requirements.**

No Alternative Operations exist for this State Only facility.



**SECTION G. Emission Restriction Summary.**

No emission restrictions listed in this section of the permit.

**SECTION H. Miscellaneous.**

#001

Source Id 101, TP Mixing (Thermo Plastic), consists of the following equipment:

- \* Dust Collector #8 (Dustex)
- 1. Henschel Mixer #4 (1-8)
- 2. Henschel Mixer #3 (2-8)
- 3. Blender PK #6 (2-18)(Moved from Source 104, Group 5 below)

#002

Source Id 102, TP Blending &amp; Grinding (Thermo Plastic), consists of the following equipment:

- \* Dust Collector #9 (Dustex)
- 1. LPK #4 (2-9)
- 2. TP Weigh Station (4-9)

#003

Source Id 103, Cryogenic Grinding, consists of the following equipment:

- \* Dust Collector #11 (Wheelabrator)
- 1. Alpine Cryo Grinder #5 (1-11)
- 2. Alpine Cryo Grinder #3 (2-11)
- 3. Alpine Cryo Grinder #2 (3-11)
- 4. Alpine Cryo Grinder #4 (4-11)

#004

Source Id 104, Powder Coating Operation (Expansion), consists of the following equipment:

- (1) Group #1 Compounding & Grinding
  - \* Dust Collector #14 (Dustex)
  - a. Compounder - W/P ZSK 70-3 (5-14)(new)
  - b. Compounder - W/P ZSK 70-1 (3-14)
  - c. Compounder - W/P ZSK 70-2 (4-14)
  - d. Grinder - ICM - 60 (9-14)
  - e. Grinder - ICM - 24 (10-14)
  - f. Grinder - ICM - 30 (13-14)
  - g. ICM60-1 Screen Analysis Booth (9-14)
  - h. ICM60-4 Screen Analysis Booth (10-14)
  - i. Extrusion Screen Analysis Booth (11-14)
- (2) Group #2 Compounding, Grinding, Mixing & Blending
  - \* Dust Collector #12 (Dustex)
  - a. Compounder - W/P ZSK 58-2 (5-12)
  - b. Grinder - ICM 60 (6-12)(new)
  - c. Grinder - ICM 10-1 (10-12)
  - d. Grinder - ICM 10-2 (11-12)
  - e. Compounder - WP25K 50 (1-12)(new)
  - f. ICM 60-2 Screen Analysis Booth (6-12)
  - g. Compounder - ZSK 54 (8-12)
  - h. Compounder ZSK 50 (7-12) formerly called Compounder WP25K 50 (1-12 new) in the permit
- (3) Group #3 Weigh-up & Mixing
  - \* Dust Collector #4 (Torit)
  - a. Five Weigh-up Stations (1-4 through 5-4)
  - b. Mixer - Mixaco 2000-1 liter (6-4)
  - c. Mixer - Mixaco 2000-2 liter (7-4)
  - d. Mixer - Reliance 1000 liter (8-4)
  - e. Mixer - Mixaco 2000 liter (9-4)(new)
  - f. Mixer - Mixaco 600 liter (10-4)
  - g. Mixer - Mixaco 300 liter (12-4)
  - h. Mixer - Henschel #2 FM-200 (13-4)(formerly 9-12)
- (4) Group #4 Micro Lots & Sample Preparation
  - \* Dust Collector #1 (Dustex)

**SECTION H. Miscellaneous.**

- a. Weigh-up Station (1-1)
- b. Compounder - W/P ZSK 30-2 (7-1)
- c. Compounder - W/P ZSK 30-1 (8-1)
- d. RO-Tap Screening Area (11-1)
- e. Grinder - ICM 2.4 (12-1) (No Drop)

## (5) Group # 5 Miscellaneous

- \* Dust Collector #18 (MAC)
- a. Bonding Unit - 1500L/2500L (1-18)

## #005

Source Id 105, Spent Bag System, consists of five bag pick-up stations, pneumatic transfer system and compactor. Equipment include:

- \* Dust Collector #15
- 1. Station #1 (Tech Air) (1-15)
- 2. Station #2 (Tech Air) (2-15)
- 3. Station #3 (Tech Air) (3-15)
- 4. Station #4 (Tech Air) (4-15)
- 5. Station #5 (Tech Air) (5-15)

## #006

Source Id 106, Q/C Laboratory, consists of the following equipment:

- \* Torit Dust Collector (replaces Dust Collector #2 (Dustex))
- 1. Eleven Powder Spray Booths (1-2, 4-2 through 13-2)
- 2. Fluid Bed (2-2)
- 3. Screen Blow-off Booth

## #007

The permittee operates the following sources of minor significance:

- 1. Burn-off Oven (0.3 Million BTUs)
- 2. Boiler (2.4 Million BTUs)
- 3. Boiler (2.52 Million BTUs)
- 4. Boiler (3.35 Million BTUs)
- 5. Customer Demonstration Area
- 6. #3 Central Vacuum System
- 7. #13 Hoffman Vacuum System
- 8. #16 Hoffman Vacuum System
- 9. Applied Engineering Operation (Dust Collector #17)
- 10. Welder Station
- 11. Davis Compounder (ID 1-10) (Dust Collector #10)
- 12. W/P ZSK-53 Compounder (ID 2-10) (Dust Collector #10)
- 13. Bonding Unit - 500 liter/1500 liter (ID none) (Dust Collector #5)
- 14. #6 Hoffman Vacuum System

## #008

This permit renewal includes the sources previously operated under Air Quality Permit 06-03005 issued September 19, 2016, and supercedes that permit.

## #009

e-RFD #8070 which authorized the replacement of a like-for-like dust collector pursuant to 25 PA Code 127.14(c)(2) was approved on 12/13/2019.



\*\*\*\*\* End of Report \*\*\*\*\*

---